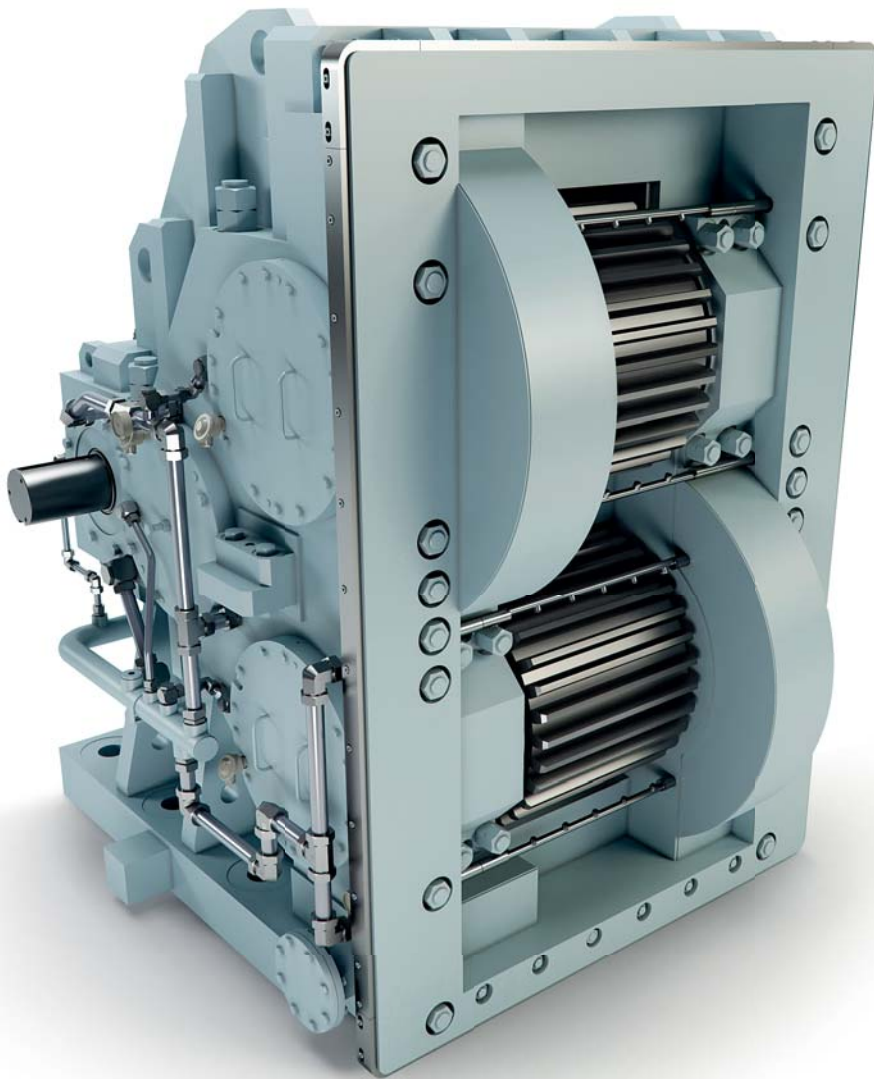


Side Drive Gearboxes for Ball Mills

Engineered Drive Solutions for Fast Return on Investment

FAST DELIVERY
up to 3 months*

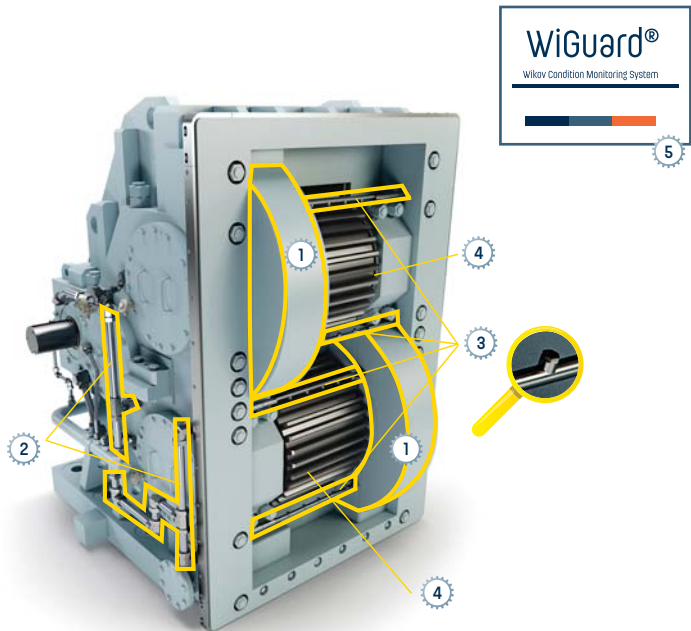


WIKOV

The Essence of Engineering

Side Drive Gearbox for Ball Mills

Wikov as a leading supplier into the world of cement industry contributes to the business by a range of robust side drive gearboxes requiring minimum maintenance and ensuring extended lifetime. Our innovative solution will be tailored to your specific needs with respect to a fast return on investment.



Advantages of Wikov Side Drive Gearboxes

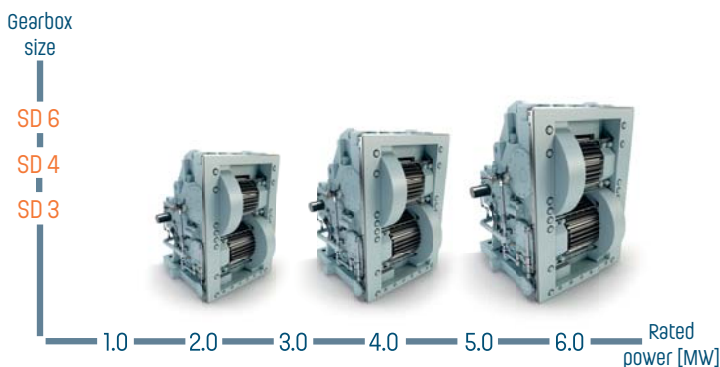
1. **Separated lubrication system** – oil loop perfectly sealed by covers and labyrinths - protects gears, bearings and lubrication pump against dust contamination from the girth gear
2. Lubrication piping system outside gearbox housing enables fast dismantling of oil spraying bars without disconnecting the gearbox from a girth gear
3. Oil spraying bars fitted with special nozzles with increased resistance against clogging
4. Optimized tooth contact with self-aligning pinion compensating condition/wear of the girth gear
5. WiGuard – remote condition monitoring of the gearbox operation

DROP-IN REPLACEMENT CAPABILITY:

equal to sizes 18 / 22 / 25,4 / 30

connection to the existing oil system without modification

possibility to use 2 oil viscosities for 2 separated oil circuits – ISO VG 460 for girth gear oil circuit and ISO VG 320 for gearbox internals such as bearings etc.
Oils do not mix!



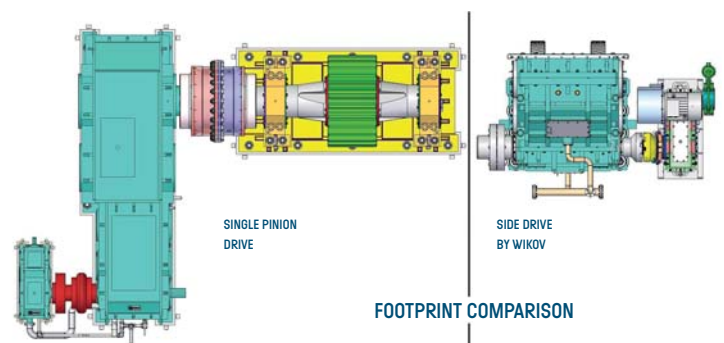
GEARBOX TYPE	SD3	SD4	SD6
Rated power (kW)	2,500 - 3,300	3,400 - 4,000	4,100 - 6,500
Max. output torque (kNm)	255	310	450
Module of output pinions	18	22	25.4 and 30
Gear ratio	6.2 - 9.6	6.2 - 9.6	6.2 - 9.6
Separated lubrication system	Yes	Yes	Yes

Technical Parameters

* precise delivery date to be coordinated with our sales representative

SMALL FOOTPRINT

COMPARISON OF CONVENTIONAL AND SIDE DRIVE SOLUTIONS



Contacts

Wikov Gear s. r. o.

Tylova 1/57, 316 00 Pilsen, Czech Republic

T: +420 377 177 110, F: +420 377 177 119, E: gear@wikov.com, www.wikov.com

EN1610

© Wikov Industry a.s. 2016